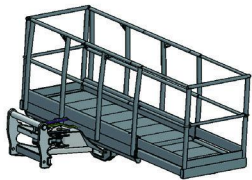


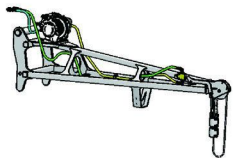
**选配属具** Optional attachments



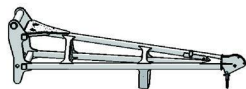
可调节高空作业平台  
Extendible platform



固定式高空作业平台  
Fixed platform



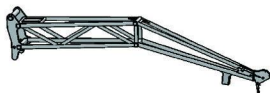
自升降起吊直臂  
Straight crane jib with winch



固定式起吊直臂  
Straight crane jib



自升降起吊弯臂  
Angle crane jib with winch



固定式起吊弯臂  
Angle crane jib



**伸缩臂越野叉车**  
Telescopic Handlers



# 伸缩臂越野叉车 Telescopic Handlers

产品主要性能 Main Performance Table of Telescopic Handlers

产品型号 Model		35H46-84				35H77-113		40H51-90		40H88-125		35H77-116S		35H112-150S		40H88-128S		40H130-170S	
		35H46-84	35H77-113	40H51-90	40H88-125	前支腿支撑 With stabilizers extended	前支腿抬起 With stabilizers retracted	前支腿支撑 With stabilizers extended	前支腿抬起 With stabilizers retracted	前支腿支撑 With stabilizers extended	前支腿抬起 With stabilizers retracted	前支腿支撑 With stabilizers extended	前支腿抬起 With stabilizers retracted	前支腿支撑 With stabilizers extended	前支腿抬起 With stabilizers retracted	前支腿支撑 With stabilizers extended	前支腿抬起 With stabilizers retracted		
最大负载 Max. load capacity	kg	3500	3500	4000	4000	3500	3500	3500	3500	4000	4000	3500	3500	4000	4000	4000	4000	4000	4000
最远前伸距离 Max. forward reach	m	4.6	7.7	5.1	8.8	7.6	7.7	11.2	6.9	8.8	8.8	13	8.7	8.8	13	8.7	8.8	13	8.7
最大提升高度 Max. lift height	m	8.4	11.3	9	12.5	11.6	11.3	15	14	12.8	12.5	17	16	15	14	12.8	12.5	17	16
最高时负载 Lift capacity at max. height	kg	3000	3000	3500	2500	3500	3000	2500	1500	3500	2500	2500	1000	3500	2500	2500	2500	2500	1000
臂节数 No. of Booms		2	3	2	3	3	3	4	4	3	3	4	4	3	3	4	4	4	4
最大行驶速度 Max. speed	km/h	35	35	35	35	35	35	35	35	35	35	35	35	35	35	35	35	35	35

## 标准配置 Standard equipment

静液压行走系统，四轮驱动，高效节能，实现自动行驶和防熄火控制，合理分配工作行走功率  
Hydrostatic drive train system, 4WD, high traction and efficiency, automatic drive and anti stall control (DA control), power distributed between implement and drive train system.

流量共享工作系统，允许复合动作，电液比例控制，准确平稳  
Flow sharing (LUDV) control implement system, parallel movement and electrical-hydraulic proportional control, realizing operation stably

多功能智能控制手柄，控制车辆驾驶与货物叉装，货叉调平  
Multifunctional joystick, which controls the driving of vehicle, cargo loading/unloading and fork leveling

道依茨发动机，欧四排放标准  
DEUTZ engine, EU stage IV emission standard

三种转向模式：前轮转向、四轮转向和蟹行（横向移动）  
Three steering modes: 2WS: two-wheel steering, 4WS-A: four-wheel steering (turn), 4WS-B: four-wheel steering (crab).

负载力矩状态实时显示  
Real-time display of load and torque

超载自动紧急停止功能  
Automatic emergency stop when overload

货叉自动调平  
Automatic leveling of fork

感应司机是否在位座椅  
Operator detecting safety function

## 属具 Attachments

可调式高空作业平台	Extendible platform
固定式高空作业平台	Fixed platform
固定式起重直臂架	Straight crane jib
自升降起重直臂架	Straight crane jib with winch
固定式起重弯臂架	Angle crane jib
自升降起重弯臂架	Angle crane jib with winch
铲斗	Loading bucket

## 发动机参数 Engine

生产厂家 Manufacturer	德国道依茨公司 DEUTZ AG
发动机型号 Model	TCD3.6L4
额定功率/转速 Rated Power/speed	90kW/2200r/min
最大扭矩/转速 Max. torque/speed	480N·m/1400 r/min
总排量 Total Displacement	3.621L
气缸数量 No. of cylinders	4
怠速 Low idle	1000 r/min
排放标准 Exhaust emission standard	EU Stage IV

# 35H46-84

伸缩臂越野叉车  
Telescopic Handlers

最大负载: 3500kg  
最远前伸距离: 4.6m  
最大提升高度: 8.4m

Max. load capacity: 3500kg  
Max. forward reach: 4.6m  
Max. lift height: 8.4m

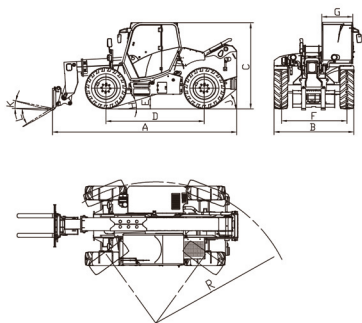
## 尺寸 Dimension

A 长度	Overall length	5.47 m
B 宽度	Overall width	2.4 m
C 高度	Overall height	2.61 m
D 轴距	Wheel base	3 m
E 底座离地间隙	Ground clearance	0.36 m
F 轮距	Front track	1.99 m
G 驾驶室外部宽度	Outside width of cab	0.94 m
H 纵向通过角度	Vehicle passing angle	19°
J 车辆离去角度	Vehicle departure angle	38°
K 货叉向上倾角	Tilt angle of fork	12°
L 货叉向下倾角	Tilt angle of fork	110°
R 转弯半径(外侧)	Turning radius(outside)	4.3 m

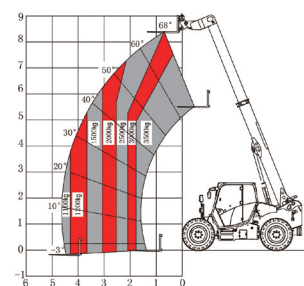
## 可选属具 Optional attachments

固定式起吊直臂	Straight crane jib
自升降起吊直臂	Straight crane jib with winch
固定式起吊弯臂	Angle crane jib
自升降起吊弯臂	Angle crane jib with winch
铲斗	Loading bucket

35H46-84 尺寸参数 Dimension



35H46-84 载荷曲线图 Lifting diagram



最大负载: 3500kg  
最远前伸距离: 7.7m  
最大提升高度: 11.3m

Max. load capacity: 3500kg  
Max. forward reach: 7.7m  
Max. lift height: 11.3m

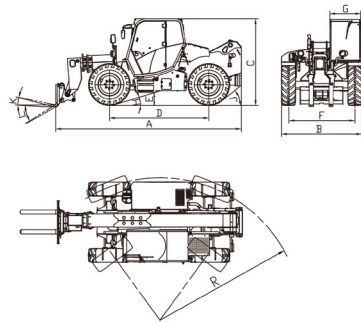
## 尺寸 Dimension

A 长度	Overall length	5.52 m
B 宽度	Overall width	2.4 m
C 高度	Overall height	2.61 m
D 轴距	Wheel base	3 m
E 底座离地间隙	Ground clearance	0.36 m
F 轮距	Front track	1.99 m
G 驾驶室外部宽度	Outside width of cab	0.94 m
H 纵向通过角度	Vehicle passing angle	19°
J 车辆离去角度	Vehicle departure angle	38°
K 货叉向上倾角	Tilt angle of fork	12°
L 货叉向下倾角	Tilt angle of fork	110°
R 转弯半径(外侧)	Turning radius(outside)	4.3 m

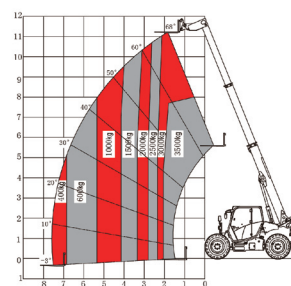
## 可选属具 Optional attachments

固定式起吊直臂	Straight crane jib
自升降起吊直臂	Straight crane jib with winch
固定式起吊弯臂	Angle crane jib
自升降起吊弯臂	Angle crane jib with winch
铲斗	Loading bucket

35H77-113 尺寸参数 Dimension



35H77-113 载荷曲线图 Lifting diagram



# 40H51-90

伸缩臂越野叉车  
Telescopic Handlers

最大负载: 4000kg  
最远前伸距离: 5.1m  
最大提升高度: 9m

Max. load capacity: 4000kg  
Max. forward reach: 5.1m  
Max. lift height: 9m

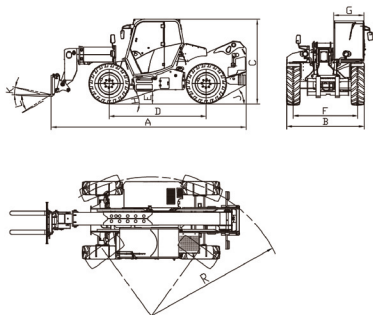
## 尺寸 Dimension

A 长度	Overall length	5.77 m
B 宽度	Overall width	2.4 m
C 高度	Overall height	2.61 m
D 轴距	Wheel base	3 m
E 底座离地间隙	Ground clearance	0.36 m
F 轮距	Front track	1.99 m
G 驾驶室外部宽度	Outside width of cab	0.94 m
H 纵向通过角度	Vehicle passing angle	19°
J 车辆离去角度	Vehicle departure angle	29°
K 货叉向上倾角	Tilt angle of fork	12°
L 货叉向下倾角	Tilt angle of fork	110°
R 转弯半径(外侧)	Turning radius(outside)	4.3 m

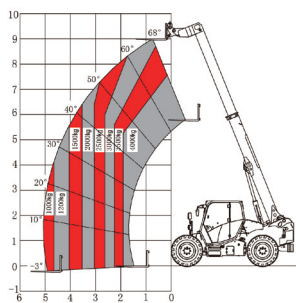
## 可选属具 Optional attachments

固定式起吊直臂	Straight crane jib
自升降起吊直臂	Straight crane jib with winch
固定式起吊弯臂	Angle crane jib
自升降起吊弯臂	Angle crane jib with winch
铲斗	Loading bucket

40H51-90 尺寸参数 Dimension



40H51-90 载荷曲线图 Lifting diagram



# 40H88-125

伸缩臂越野叉车  
Telescopic Handlers

最大负载: 4000kg  
最远前伸距离: 8.8m  
最大提升高度: 12.5m

Max. load capacity: 4000kg  
Max. forward reach: 8.8m  
Max. lift height: 12.5m

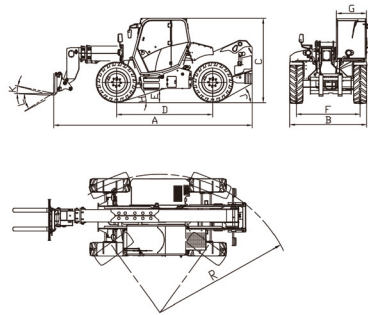
## 尺寸 Dimension

A 长度	Overall length	6.02 m
B 宽度	Overall width	2.4 m
C 高度	Overall height	2.61 m
D 轴距	Wheel base	3 m
E 底座离地间隙	Ground clearance	0.36 m
F 轮距	Front track	1.99 m
G 驾驶室外部宽度	Outside width of cab	0.94 m
H 纵向通过角度	Vehicle passing angle	19°
J 车辆离去角度	Vehicle departure angle	29°
K 货叉向上倾角	Tilt angle of fork	12°
L 货叉向下倾角	Tilt angle of fork	110°
R 转弯半径(外侧)	Turning radius(outside)	4.3 m

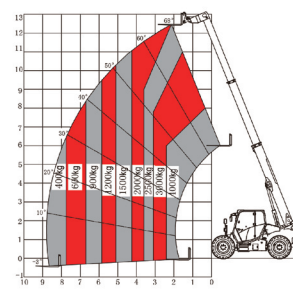
## 可选属具 Optional attachments

固定式起吊直臂	Straight crane jib
自升降起吊直臂	Straight crane jib with winch
固定式起吊弯臂	Angle crane jib
自升降起吊弯臂	Angle crane jib with winch
铲斗	Loading bucket

40H88-125 尺寸参数 Dimension



40H88-125 载荷曲线图 Lifting diagram



# 35H77-116S

伸缩臂越野叉车  
Telescopic Handlers

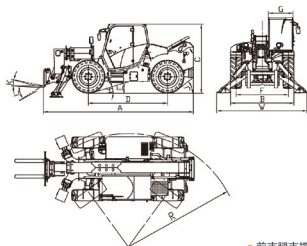
最大负载: 3500kg  
最远前伸距离: 7.7m  
最大提升高度: 11.6m

Max. load capacity: 3500kg  
Max. forward reach: 7.7m  
Max. lift height: 11.6m

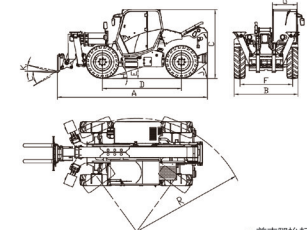
## 尺寸 Dimension

A 长度 Overall length	5.52m
B 宽度 Overall width	2.4m
C 高度 Overall height	2.61m
D 轴距 Wheel base	3m
E 底座离地间隙 Ground clearance	0.36m
F 轮距 Front track	1.99m
G 驾驶室外部宽度 Outside width of cab	0.94m
H 纵向通过角度 Vehicle passing angle	19°
J 车辆离去角度 Vehicle departure angle	38°
K 货叉向上倾角 Tilt angle of fork	12°
L 货叉向下倾角 Tilt angle of fork	110°
R 转弯半径(外侧) Turning radius(outside)	4.3m

## 35H77-116S 尺寸参数 Lifting diagram



前支腿支撑

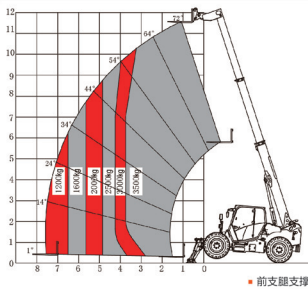


前支腿抬起

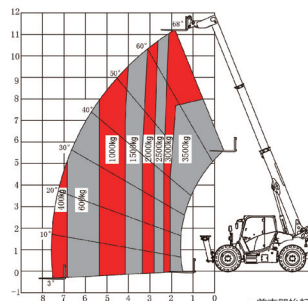
## 可选属具 Optional attachments

可调式高空作业平台 Extendible platform
固定式高空作业平台 Fixed platform
固定式起吊直臂 Straight crane jib
自升降起吊直臂 Straight crane jib with winch
固定式起吊弯臂 Angle crane jib
自升降起吊弯臂 Angle crane jib with winch
铲斗 Loading bucket

## 35H77-116S 载荷曲线图 Dimension



前支腿支撑



前支腿抬起

# 35H112-150S

伸缩臂越野叉车  
Telescopic Handlers

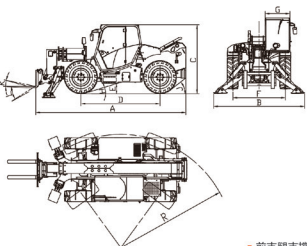
最大负载: 3500kg  
最远前伸距离: 11.2m  
最大提升高度: 15m

Max. load capacity: 3500kg  
Max. forward reach: 11.2m  
Max. lift height: 15m

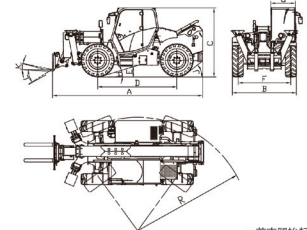
## 尺寸 Dimension

A 长度 Overall length	6.02m
B 宽度 Overall width	2.4m
C 高度 Overall height	2.61m
D 轴距 Wheel base	3m
E 底座离地间隙 Ground clearance	0.36m
F 轮距 Front track	1.99m
G 驾驶室外部宽度 Outside width of cab	0.94m
H 纵向通过角度 Vehicle passing angle	19°
J 车辆离去角度 Vehicle departure angle	38°
K 货叉向上倾角 Tilt angle of fork	12°
L 货叉向下倾角 Tilt angle of fork	110°
R 转弯半径(外侧) Turning radius(outside)	4.3m

## 35H112-150S 尺寸参数 Dimension



前支腿支撑

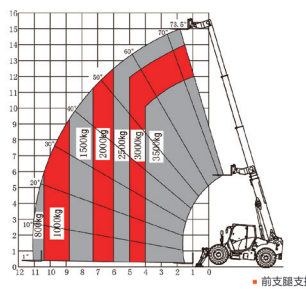


前支腿抬起

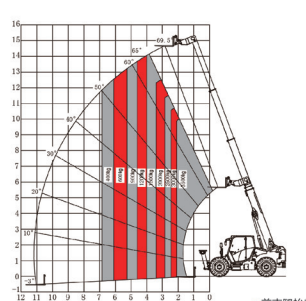
## 可选属具 Optional attachments

可调式高空作业平台 Extendible platform
固定式高空作业平台 Fixed platform
固定式起吊直臂 Straight crane jib
自升降起吊直臂 Straight crane jib with winch
固定式起吊弯臂 Angle crane jib
自升降起吊弯臂 Angle crane jib with winch
铲斗 Loading bucket

## 35H112-150S 载荷曲线图 Lifting diagram



前支腿支撑



前支腿抬起

# 40H88-128S

伸缩臂越野叉车  
Telescopic Handlers

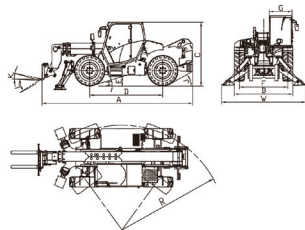
最大负载: 4000kg  
 最远前伸距离: 8.8m  
 最大提升高度: 12.8m

Max. load capacity: 4000kg  
 Max. forward reach: 8.8m  
 Max. lift height: 12.8m

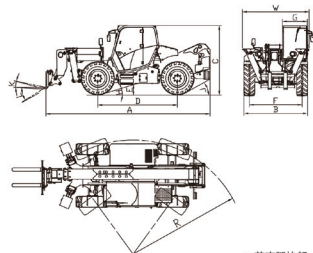
## 尺寸 Dimension

A 长度 Overall length	6.02 m
B 宽度 Overall width	2.4 m
C 高度 Overall height	2.61 m
D 轴距 Wheel base	3 m
E 底座离地间隙 Ground clearance	0.36 m
F 轮距 Front track	1.99 m
G 驾驶室外部宽度 Outside width of cab	0.94 m
H 纵向通过角度 Vehicle passing angle	19°
J 车辆离去角度 Vehicle departure angle	29°
K 货叉向上倾角 Tilt angle of fork	12°
L 货叉向下倾角 Tilt angle of fork	110°
R 转弯半径(外侧) Turning radius(outside)	4.3 m

## 40H88-128S 尺寸参数 Dimension



■ 前支腿支撑

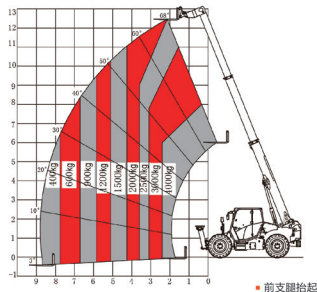
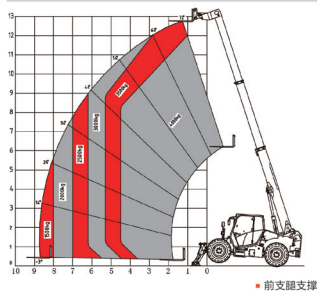


■ 前支腿抬起

## 可选属具 Optional attachments

可调式高空作业平台 Extendible platform
固定式高空作业平台 Fixed platform
固定式起重臂 Straight crane jib
自升降起重臂 Straight crane jib with winch
固定式起重弯臂 Angle crane jib
自升降起重弯臂 Angle crane jib with winch
铲斗 Loading bucket

## 40H88-128S 载荷曲线图 Lifting diagram



# 40H130-170S

伸缩臂越野叉车  
Telescopic Handlers

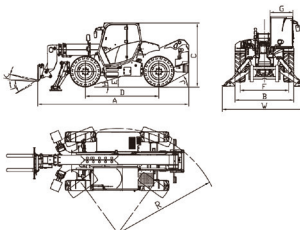
最大负载: 4000kg  
 最远前伸距离: 13m  
 最大提升高度: 17m

Max. load capacity: 4000kg  
 Max. forward reach: 13m  
 Max. lift height: 17m

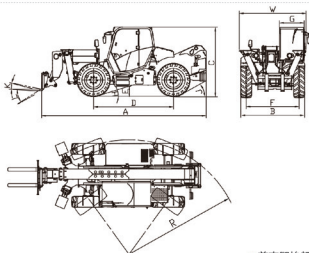
## 尺寸 Dimension

A 长度 Overall length	6.02 m
B 宽度 Overall width	2.4 m
C 高度 Overall height	2.61 m
D 轴距 Wheel base	3 m
E 底座离地间隙 Ground clearance	0.36 m
F 轮距 Front track	1.99 m
G 驾驶室外部宽度 Outside width of cab	0.94 m
H 纵向通过角度 Vehicle passing angle	19°
J 车辆离去角度 Vehicle departure angle	29°
K 货叉向上倾角 Tilt angle of fork	12°
L 货叉向下倾角 Tilt angle of fork	110°
R 转弯半径(外侧) Turning radius(outside)	4.3 m

## 40H130-170S 尺寸参数 Dimension



■ 前支腿支撑



■ 前支腿抬起

## 可选属具 Optional attachments

可调式高空作业平台 Extendible platform
固定式高空作业平台 Fixed platform
固定式起重臂 Straight crane jib
自升降起重臂 Straight crane jib with winch
固定式起重弯臂 Angle crane jib
自升降起重弯臂 Angle crane jib with winch
铲斗 Loading bucket

## 40H130-170S 载荷曲线图 Lifting diagram

